

EMVS-RTCM

REAL TIME MONITORING FOR EMVS-TL

MAIN FEATURES

- Provides real time monitoring of the scanned area by the **EMVS** Search Head
- Field Rugged **Toughbook** tablet unit able to work in rainy and dusty environment
- Reliable Bluetooth link to the vehicle **EMVS-RCU** or for remote operations to the Portable RCU (**EMVS-PRCU**)
- Used in combination with **EMVS-DGNSS/ROVER** unit the pre-installed **CEIA GSD-Finder** application provides a complete GPS supervisor system
- **CEIA GSD-Finder** assists the operator to drive the vehicle highlighting and recording the area that has been covered by the **EMVS** antenna array
- **CEIA GSD-Finder** allows the operator to check the real time **EMVS** position and give the capability to store high-precision GPS trace recordings as well as the start and stop positions
- **CEIA EMVS-RTCM** rugged support allows to hold the tablet unit in the vehicle cockpit



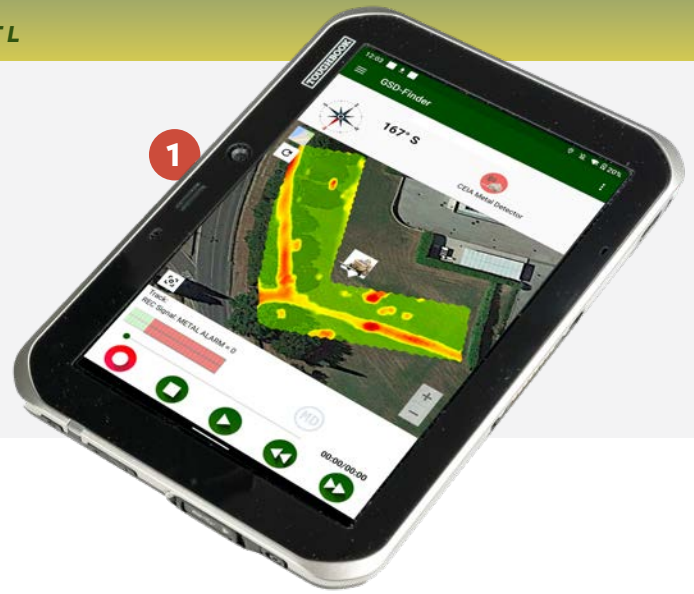
METAL DETECTOR ALARMS POST-PROCESSING

GENERAL DESCRIPTION

The **Real Time Coverage Monitoring Unit** consists of a ruggedized tablet that runs a **CEIA GSD-Finder application**. The unit can be connected over a reliable Bluetooth link either to the **EMVS-RCU** located in the vehicle cockpit or to the **EMVS PRCU** in case of a remote connection.

The **GSD-Finder** collects and displays in real-time the GPS data that come from the **EMVS-DGNSS/ROVER** as well as the data on the metal detector alarms. The user interface overlaps that information with a satellite view of the scanned area to locate the device on the field and to highlights the **EMVS** antenna array covered area assisting the operator with the mapping process.





PART LIST

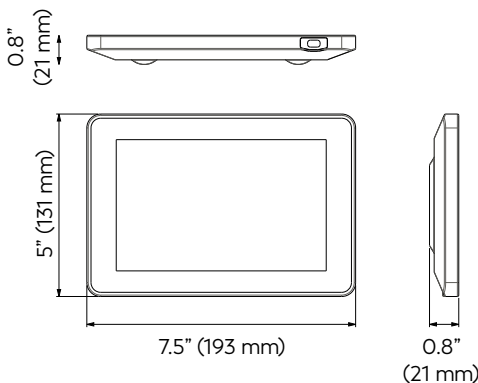
1	Toughbook tablet with pre-installed GSD-Finder application
2	AC Power supply and power supply cable
3	EU / US plug adapter
4	Power supply with car cigarette lighter plug
5	Transport case

SPECIFICATIONS

OPERATIVE SYSTEM	Android 10
DISPLAY	7" WXGA 1280 x 800
CERTIFICATIONS	MIL-STD-810H certified, IP65 and IP67 dust and water resistant
BLUETOOTH®	Bluetooth® V5.1 Class1
BATTERY PACK	Li-ion 3.8V, 3,200mAh
BATTERY PACK CHARGING TIME	Approx. 3 hours
WEIGHT	Thoughbook: 1 lb (0,434 kg) Thoughbook cockpit support: 3.5 lbs (1.6 kg)

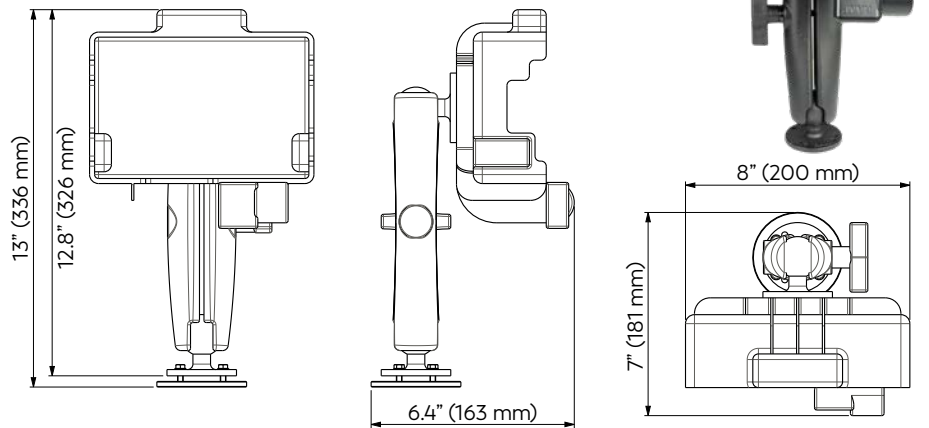
DIMENSIONS

EMVS-RTCM



EMVS-RTCM-SUP

Rugged support to hold the tablet unit in the vehicle cockpit



CEIA USA Ltd - 6336 Hudson Crossing Parkway, Hudson OH 44236
 ☎ 330-405 3190 • ✉ gsm@ceia-usa.com • 📞 Call (833) 224-2342 (CEIA)

www.ceia-usa.com

CEIA USA reserves the right to make changes, at any moment and without notice, to the models (including programming), their accessories and options, to the prices and conditions of sale - FC140K0217v2000uUS (2024)