

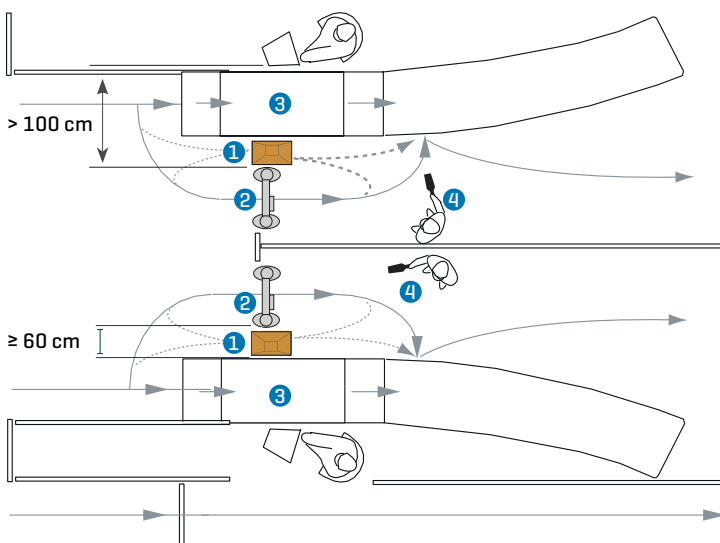


# METAL DETECTOR DIVESTING TABLE

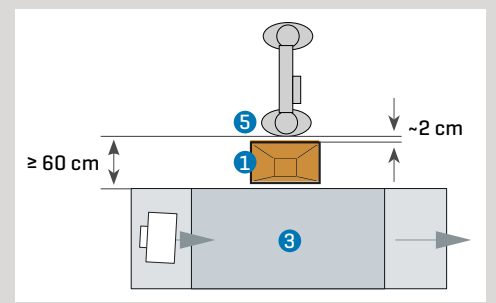
- Certified for Zero-Influence on Metal Detector Gates
- Ergonomic Depository Area
- Robust and Reliable
- Easy to Clean and to Maintain
- Color Matched with the Gate Structure

In combination with CEIA Walk-Through Metal Detectors, the Metal Detector Divesting Table is a temporary location of personal metal effects for people to be screened. The base is constructed in material that guarantees maximum compatibility with the Metal Detector.

## Installation example



- 1 Metal Detector Divesting Table
- 2 Walk-Through Metal Detector
- 3 X-Ray unit
- 4 Hand-Held Metal Detector
- 5 Transmitter antenna



www.ceia.net

Threat Detection through Electromagnetics

CEIA reserves the right to make changes, at any moment and without notice, to the models (including programming), their accessories and options, to the prices and conditions of sale

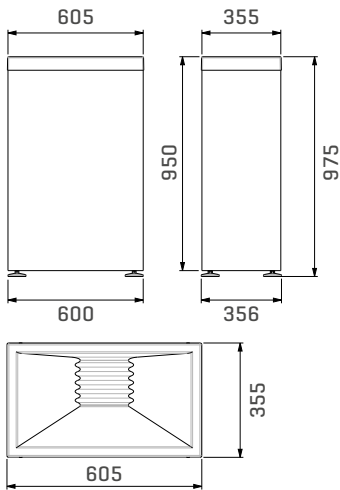




## Dimensions [mm]

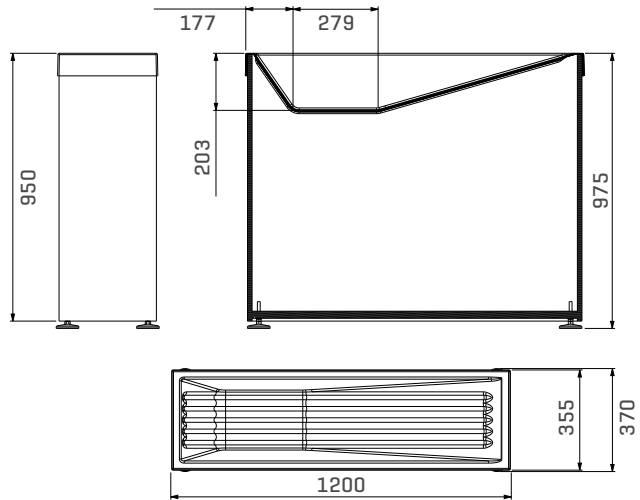
### STANDARD LENGTH: 610 mm

Ordering Code: 18074



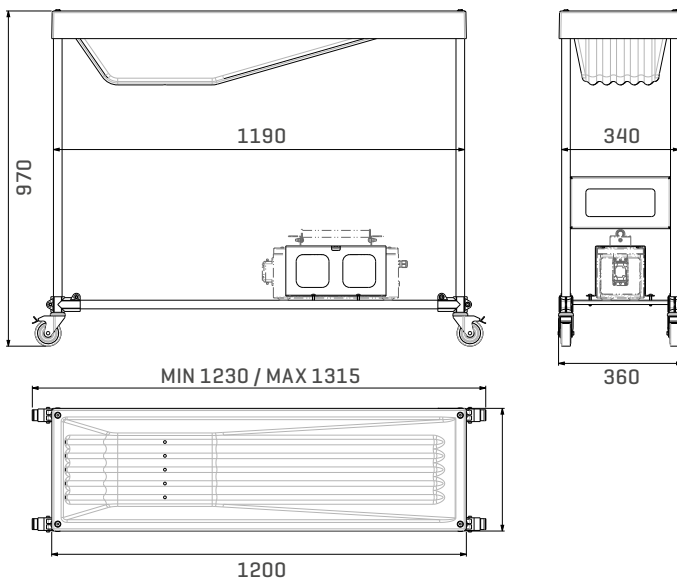
### EXTENDED LENGTH: 1200 mm

Ordering Code: 39491



### OUTDOOR VERSION: 1300 mm

Ordering Code: 67021



Zona Industriale 54/G, 52041 Vicinaggio - Arezzo (ITALY)

Tel.: +39 0575 4181 • Fax: +39 0575 418298 • E-mail: [infosecurity@ceia-spa.com](mailto:infosecurity@ceia-spa.com)



[www.ceia.net](http://www.ceia.net)

CEIA reserves the right to make changes, at any moment and without notice, to the models (including programming), their accessories and options, to the prices and conditions of sale