

# SAMD<sup>®</sup>

45+  
years of  
experience  
EXPERIENCE  
AGS12 91

## SHOE METAL DETECTOR

- Automatic Detection of Weapons hidden in shoes and simultaneous discrimination of shoe metal components
- Fast, non-intrusive and effective
- Increase in Screening Throughput
- Conforms to European Detection Requirements for Airport Security



Automatic step-by-step guide



■ Ease of use and Ergonomic Design  
*Use of the CEIA SAMD Shoe Scanner is simple and stress-free for both inspected people and screeners. Minimal Analysis time*

At the very high Security Levels today required for Walk-Through Metal Detector inspection, a percentage of shoes containing significant metal masses causes the WTMD alarm, thus requiring additional/supplementary screening.

In the light of this new operational scenario, **CEIA has developed the SAMD to check shoes worn by passengers without having to remove them**, employing low-frequency electromagnetic fields which are non-ionizing and completely harmless.

**The SAMD Shoe Metal Detector is an extension of the Walk Through Metal Detector Gate**, which complies with the most recent, stringent security requirements and reduces by up to 10 times or more the number of shoes that must be examined manually because of metal alarm.



www.ceia.net



Threat Detection through Electromagnetics

CEIA reserves the right to make changes, at any moment and without notice, to the models (including programming), their accessories and options, to the prices and conditions of sale

# SAMD - Specifications

## OPERATIONAL FEATURES

Technology	Professional high-integration, optimum-reliability electronics D.S.P. analysis with numeric filter of the signal received (patented) High immunity demodulation of the signals Exceptional discrimination
Signalling	Display of use instructions
Programmability	Chip card system for direct selection of the operating mode, according to International Security Standards or customer requirements. The use of the card may be protected by password Programmability of all the parameters protected by passwords
Analysis time	Very fast analysis time for a rapid flow-rate (2 seconds)
Multiple installations	Automatic synchronisation between 2 or more devices with a reciprocal distance of as little as to 1 m without the use of cables
Remote control	Capacity for total remote control through an RS-232C serial line
Installation and maintenance	Automatic adjustment to environmental parameters and no need for initial or periodic calibrations Proper environmental installation checked by means of a read-out of the general noise "GN" and electromagnetic noise "EN" Complete interchangeability of electronics units and antennae thanks to the repeatability of the manufacturing processes Functionality tests can be carried out using accessory kit

## PROBE

Designed and built using advanced technological criteria, the probe is extremely robust and stable, yet elegant and fully protected against the effects of weather and wear-and-tear

Total weight: 50 kg

## CENTRAL ELECTRONICS UNIT

Degree of protection IP 20 (IEC 60529), with standard casing

Dimensions and weight 380 x 157 x 82mm; 1,5 kg

## ALARM MODES

Detection of metallic masses

Sabotage or internal self-diagnosis

Type of signalling Visual: fixed or proportionate to the mass in transit - visible from 6m under lighting of 4000lux.

Audio: programmable up to 90 dB(A) at 1m

## INSTALLATION DATA

Power supply 100 ÷ 240 Vac, 50 ÷ 60 Hz, 40 VA

Communication capability RS-232 serial interface

Ethernet network interface

Ethernet Networking Functions available through the CEIA NetID management software

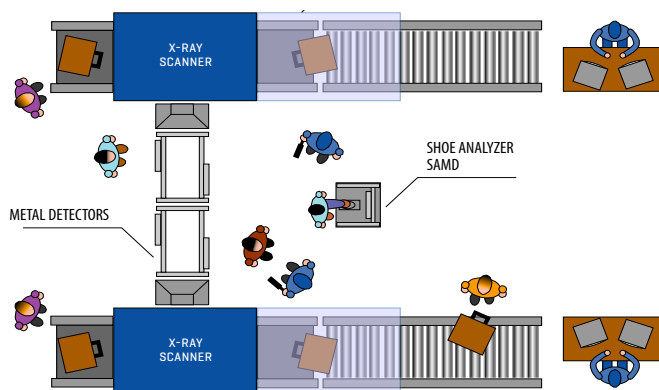
- Programming
- Statistical Data Collection
- Maintenance
- Firmware upgrade

Working temperature -20°C to +70°C

Storage temperature -35°C to +70°C

Relative humidity 0 to 95% without condensation

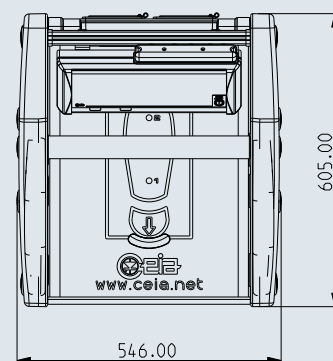
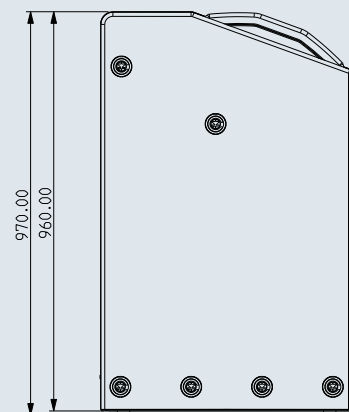
## SUGGESTED LAYOUT



## Certification and conformity

- Conforms to Commission Implementing Regulation (EU) 1998/2015
- Conforms to all Airport Security Standards worldwide
- Compliant with the applicable electromagnetic Standards on Human Exposure and Pacemaker Safety
- Conforms to the international standards currently applicable for electrical safety and EMC, and to the applicable EC Regulations.
- Harmless to magnetic media (CDs, tapes, etc.)

## Dimensions (mm)



COSTRUZIONI ELETTRONICHE INDUSTRIALI AUTOMATISMI

Zona Industriale 54/56, 52041 Vicinaggio - Arezzo [ITALY]

Tel.: +39 0575 4181 • Fax: +39 0575 418298 • E-mail: infosecurity@ceia-spa.com

[www.ceia.net](http://www.ceia.net)

CEIA reserves the right to make changes, at any moment and without notice, to the models (including programming), their accessories and options, to the prices and conditions of sale

DP06K0054V3000hUK

